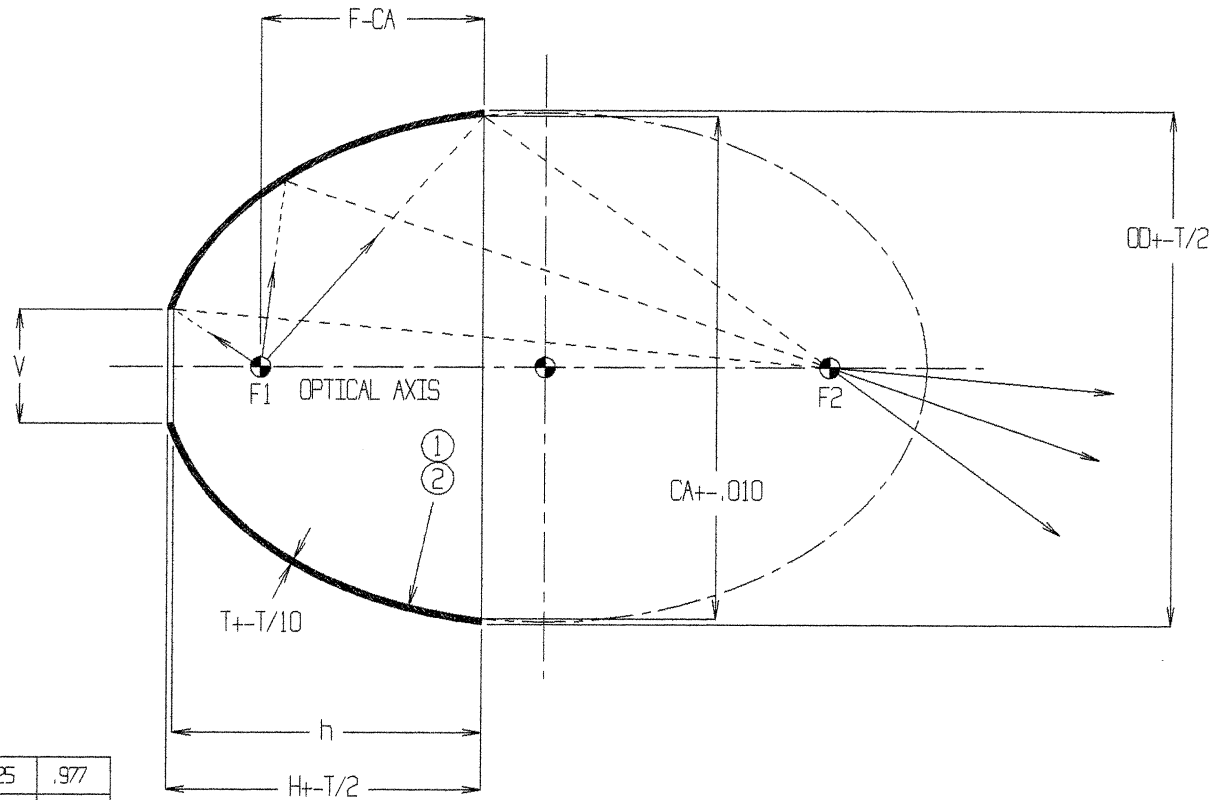


ALL CONCEPTS CONTAINED WITHIN THIS DRAWING ARE PROPRIETARY TO PHOENIX ELECTROFORMED PRODUCTS, INC.  
AND MAY NOT BE CONVEYED TO THIRD PARTIES WITHOUT WRITTEN CONSENT

REVISIONS				
ZONE	REV	DESCRIPTION	DATE	APPROVED



.12	.188	2.200	2.250	1.421	1.396	.025	.977
.11	.500	1.991	2.044	.904	.878	.025	.496
.10	1.000	1.850	1.905	.593	.562	.025	.315
.09	.750	1.850	1.905	.670	.642	.025	.315
.08	.625	1.850	1.905	.700	.673	.025	.315
.07	.500	1.850	1.905	.724	.697	.025	.315
.06	.250	1.850	1.905	.755	.729	.025	.315
.05	1.000	2.200	2.250	1.255	1.223	.025	.976
.04	.750	2.200	2.250	1.332	1.304	.025	.976
.03	.625	2.200	2.250	1.361	1.334	.025	.976
.02	.500	2.200	2.250	1.385	1.359	.025	.976
.01	.250	2.200	2.250	1.416	1.391	.025	.976
#	V	CA	OD	H	h	T	F-CA

① SURFACE FINISH 80-50 SCRATCH-DIG PER MIL-D-13830A

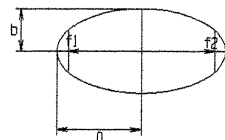
② AVAILABLE REFLECTIVE ENHANCEMENT COATINGS:

AL2 ELECTRO-DEPOSITED GOLD

AF VACUUM DEPOSITED ALUMINUM / MAGNESIUM FLUORIDE (MgF2) OVERCOAT

AD VACUUM DEPOSITED ALUMINUM / QUARTZ (SiO2) OVERCOAT

RH ELECTRO-DEPOSITED BRIGHT RHODIUM



ELLIPSE EQUATION  
 $\frac{x^2}{a^2} + \frac{y^2}{b^2} = 1$   
 $a = 1.675000$   
 $b = 1.114955$   
 $F = .4250$   
 $F1-F2 = 2.5000$

UNLESS OTHERWISE SPECIFIED DIMENSIONS ARE IN INCHES TOLERANCES ARE: FRACTIONS .1/16 .3/32 .5/64 .7/64 .1/8 DECIMALS .01 .02 .05 .1 .15 ANGLES .1° .2° .5°	MATERIAL ELECTROFORMED NICKEL	<b>PHOENIX</b> ELECTROFORMED PRODUCTS, INC.	
FINISH 63 ✓ UNLESS OTHERWISE SPECIFIED	CONTRACT NO.	TITLE ELLIPTICAL REFLECTOR EL1	
APPROVALS	DATE	SIZE	CAGE CODE
DRAWN LB	5-28-03	DWG NO.	EL1
ENGR		SCALE	SHEET
DO NOT SCALE DRAWING	DESIGN ACTIVITY		